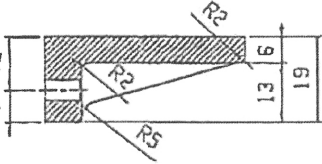
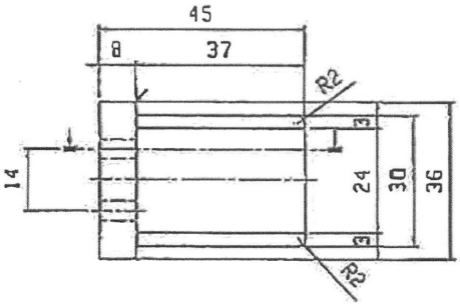
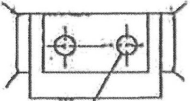


7 12







2- ϕ 4.5