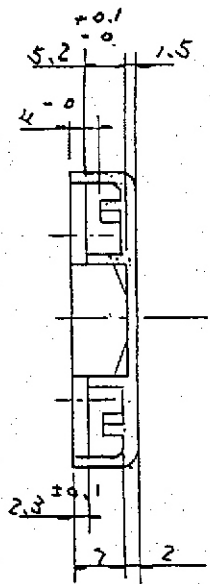
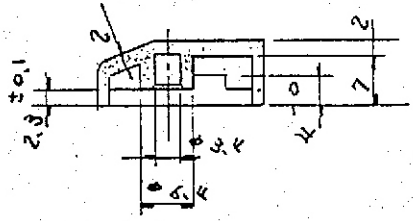
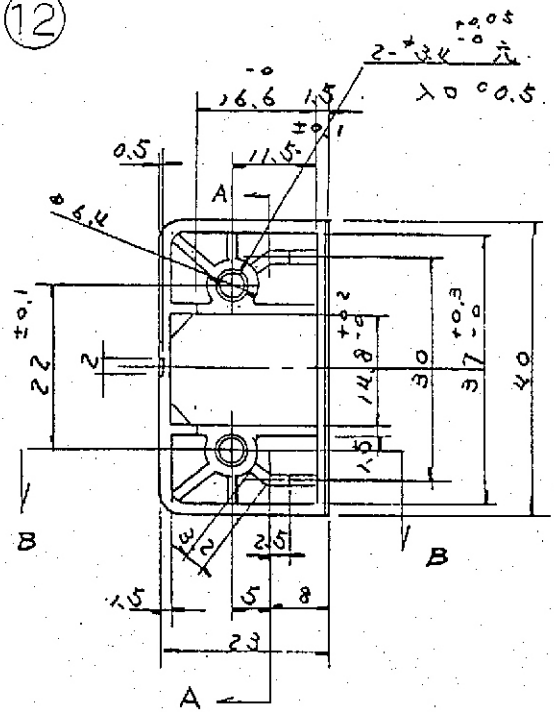


12



A-A sec



B-B sec

2- $\sqrt{3} \times \frac{100}{4}$ 淨寸 4.7
 $\times 0.05$

